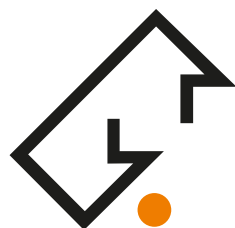




# Balancing Stands **ABL**



WERKZEUGSYSTEME  
MÜLLER GMBH  
**HOFMANN**  
MESS- UND TEILTECHNIK



# Balancing, concentricity testing, clamping

## Balancing Stands ABL



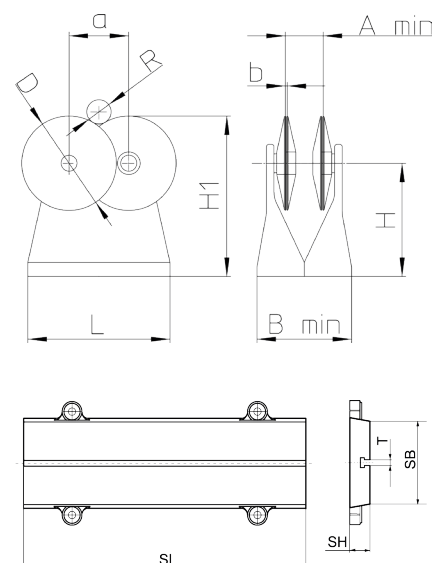
for static balancing of disc-shaped parts or for concentricity tests.

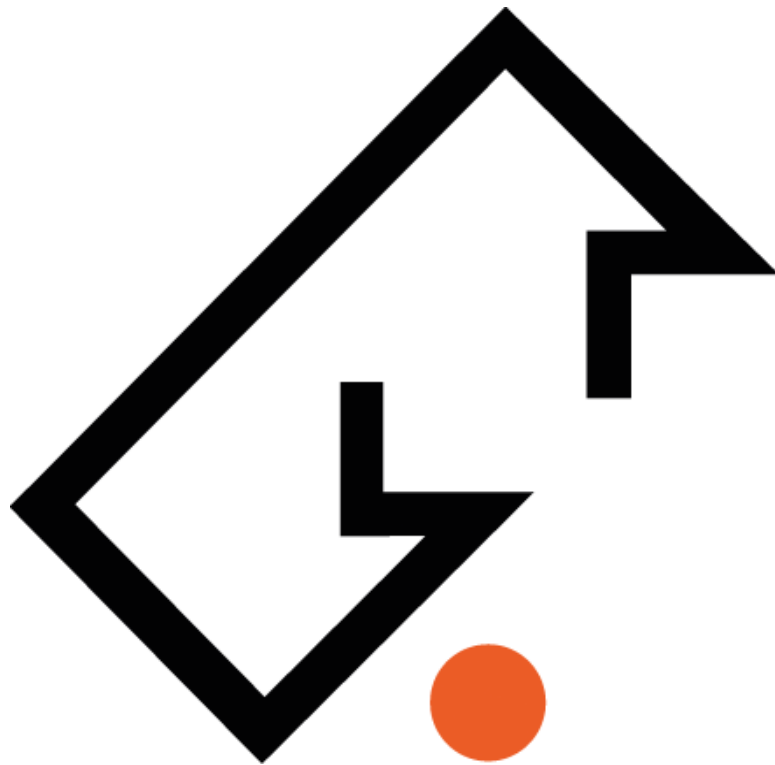
Each set of balancing stands will be supplied as a set of two individual balancing stands, each with two hardened and ground narrow balancing discs.

The balancing discs are mounted in ball bearings and are arranged so that they can accommodate even small bearings.

Size		ABL-10	ABL-100	ABL-400
Load capacity	(kg)	0.1 bis 10	5 bis 100	20 bis 400
Maximum rotor diameter on roller discs	(mm)	100	200	400
Concentricity	(mm)	0.005	0.005	0.005
Set weight without any base rail	(kg)	8	20	56
Weight with clamping device	(kg)	9	21	58
Set weight with base rail 1,000 mm	(kg)	43	55	118

Size		ABL-10	ABL-100	ABL-400
a	(mm)	63	100	130
A <sup>min</sup>	(mm)	45	70	80
b	(mm)	6	9	12
B <sup>min</sup>	(mm)	120	160	230
D	(mm)	100	160	200
H	(mm)	170	250	380
H1	(mm)	220	330	480
L	(mm)	200	200	360
SB	(mm)	200	200	360
SH	(mm)	50	50	70
SL	(mm)	1,000	1,000	1,000
T	(mm)	14	14	14





**Werkzeugsysteme Müller GmbH  
Hofmann Mess- und Teiltechnik**

Robert-Bosch-Straße 5 | 72124 Pliezhausen  
Telefon +49 7127 97558-130 | Telefax +49 7127 97558-015  
info@hofmann-mt.de | www.hofmann-mt.com